

Sluice Gate
WEY Type 3.4 Round



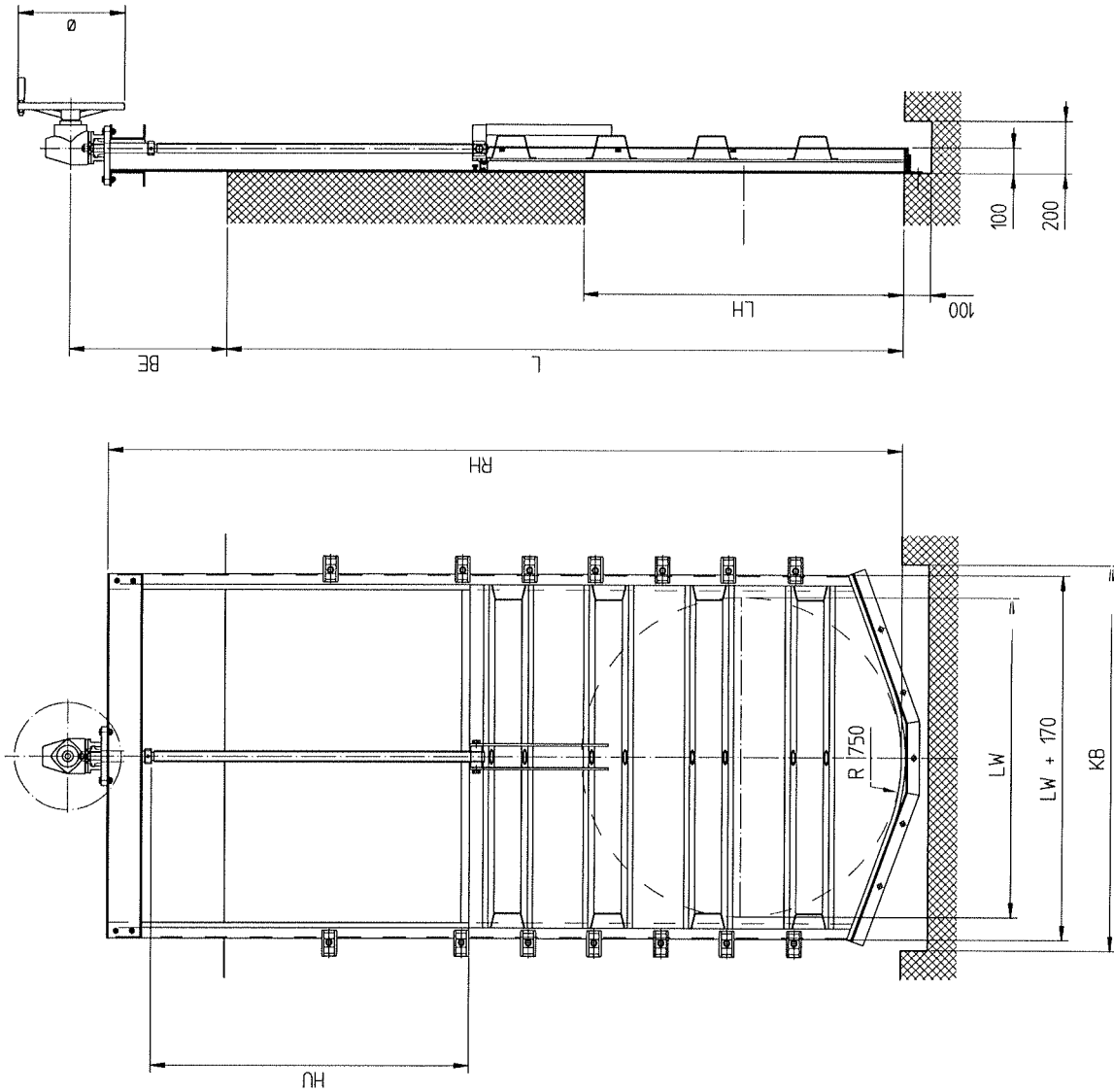
Material	Frame	316 L or equal
	Gate	316 L or equal
	Guidance	UV resist-PE
	Seal	Nitril
	Stem	316 L or equal
Actuator	Bevel Gearbox	AUMA GK 10.2
	Reduction ratio	2:1
	Handwheel	Ø 400

Dimension (mm)

Width	LW	1000
Height	LH	1000
Water column.	WS	2000
Installation depth	L	2000
Stroke	HU	1000
Frame height	RH	2850
Working level	BE	950

Bottom Profile

Wall mounted



Costumer	VIG-FIL, Radomlje
Project	IZVO
Commission no.	189258
Costumer Item no.	0
Sistag Item no.	1
Quantity	2
Date	8. September 2009
Signature	We

Sluice Gate

WEY Type 3.4 Round

SISTAG

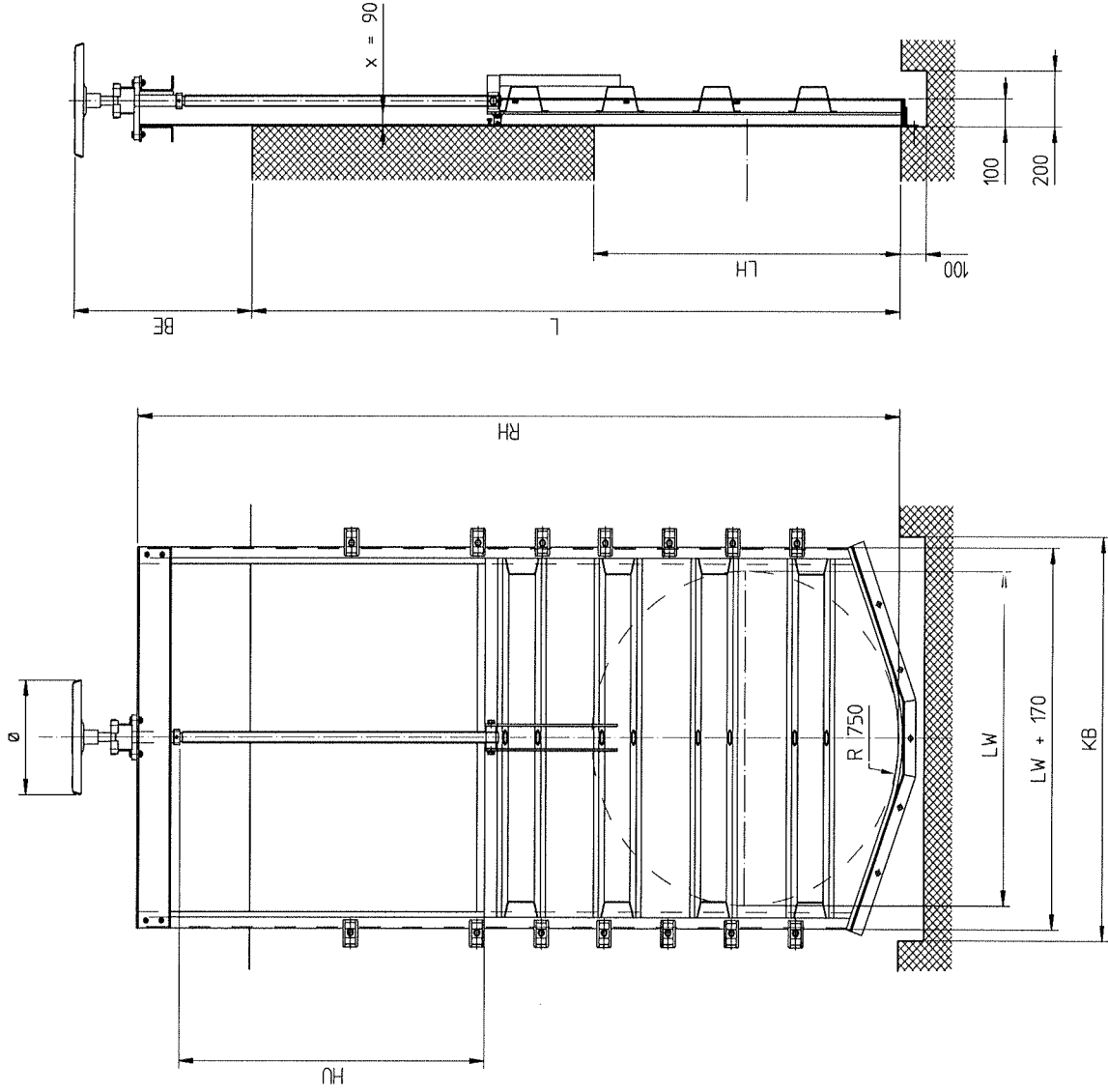
Material	Frame	316 L or equal
	Gate	316 L or equal
	Guidance	UV resist-PE
	Seal	Nitril
	Stem	316 L or equal

Actuator	Handwheel	Ø	400
----------	-----------	---	-----

Dimension (mm)	Width	LW	1000
	Height	LH	1000
	Water column.	WS	2000
	Installation depth	L	2000
	Stroke	HU	1000
	Frame height	RH	2850
	Working level	BE	950

Bottom Profile
Wall mounted

Customer	VIG-FIL, Radomlje
Project	IZVO
Commission no.	189258
Customer item no.	0
Sistag item no.	2
Quantity	2
Date	8. September 2009
Signature	We



3.4AR003